



Heavy Duty Steel Shelving Unit

Stock Nos. 21659
21663

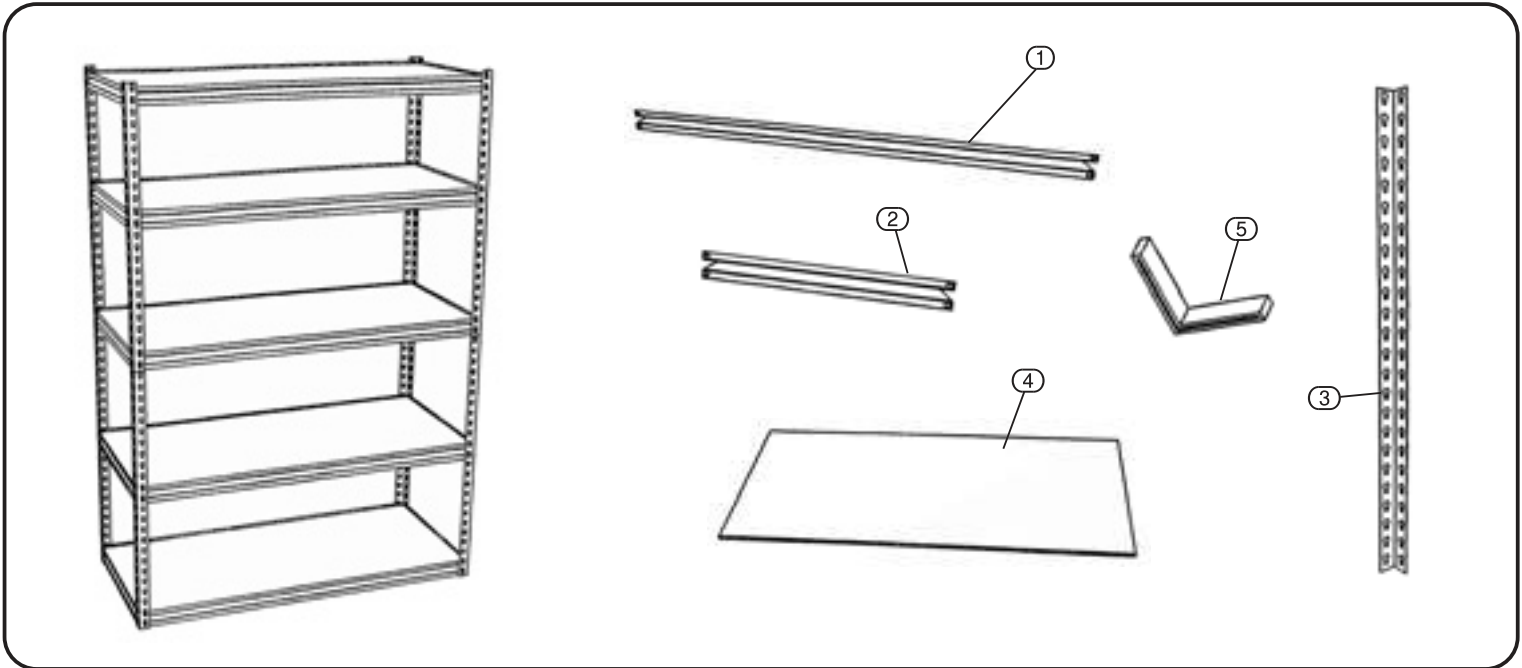
Part Nos. MSDHD183
MSUHD183

INSTRUCTIONS

02/2010



GETTING TO KNOW YOUR SHELVING UNIT



① Beams x 10

② Braces x 10

③ Post x 8

④ Board x 5

⑤ Endcap x 8

- **UNPACKING:** After removing the packing material, make sure the product is in perfect condition and that there are no visible damaged parts. If in doubt, do not use the product and contact the dealer from whom it was purchased.

The packaging materials (plastic bags, polystyrene, etc.), must be disposed of in an appropriate refuse collection container. These materials must not be left within the reach of children as they are potential sources of danger.



SAFETY INSTRUCTIONS

- These units should be placed on a level surface. Failure to do so can result in poor product performance or create a possible safety hazard. This unit should be securely anchored to a wall of floor with suitable fasteners, which are not included. Do not use this unit for anything other than the manufactures intended purpose. **DO NOT STAND ON ANY PART OF THE UNIT, OR USE IT AS A LADDER.** Evenly distribute the weight on each level and always keep the heavier loads on the bottom. Use care when working with metal parts.



OPERATIONS AND USES

- Assembly is done with rivets of the beams and braces fitting into the holes of the post. A rubber mallet may be use on the beams and braces to seat the tabs properly. A hammer can also be used providing one uses a cloth or a block of wood between the hammer head and the parts to prevent damage. Tap gently and be sure the rivets are straight and fully engaged.



Heavy Duty Steel Shelving Unit

Stock Nos. 21659
21663

Part Nos. MSDHD183
MSUHD183

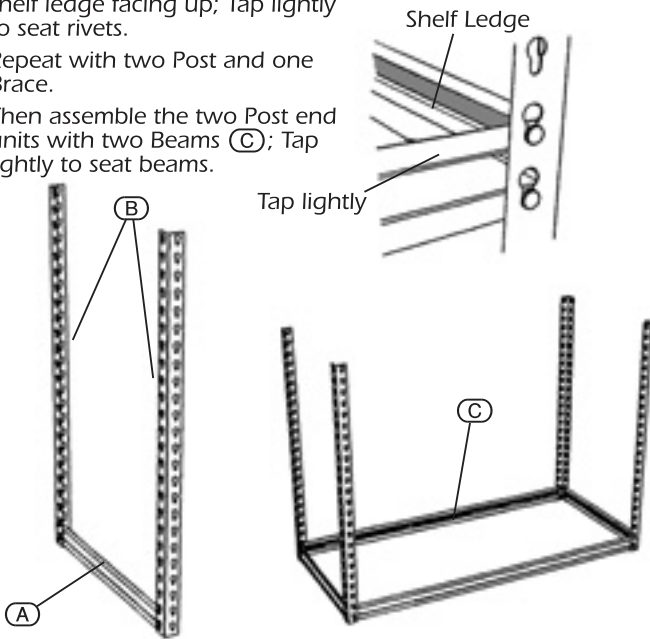
INSTRUCTIONS

02/2010

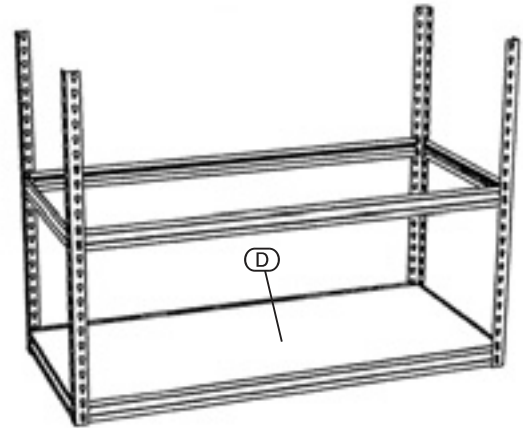


OPERATIONS AND USES

- Assemble two Post (B) with one Brace (A). Place the rivets of the Brace into the holes of the Post with the shelf ledge facing up; Tap lightly to seat rivets. Repeat with two Post and one Brace. Then assemble the two Post end units with two Beams (C); Tap lightly to seat beams.

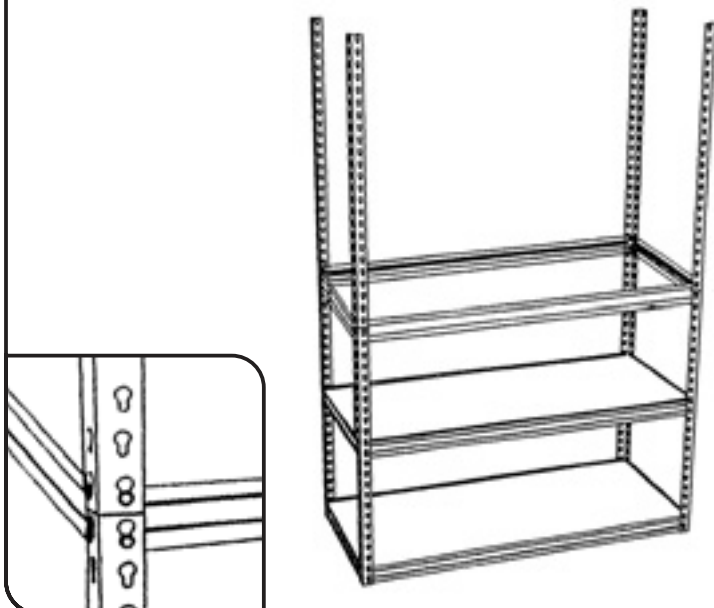


- Start by adding a board shelf (D) to the level previously built, then continue working by adding the second level using two beams and two braces in the post tabs of your desired height. Again place the rivets of the beams and braces into the post holes with the shelf ledge facing up and tap lightly to seat the rivets.



IMPORTANT NOTE: Make sure all beam/brace rivets are fully seated into the holes of the post.

- Add a board shelf to the previously built level, then assemble the top post to the bottom post by using Braces and Beams one rivet goes to bottom post, the other rivet goes to top post.



- Add a board shelf to the previously built level, then continue by adding the last two levels of beams and braces to the unit. Tap lightly to properly seat the rivets and add the board shelf to the unit. Put Endcaps to both ends of four Posts.

