

**1.** Attach plastic feet to all 4 uprights, the narrow part of each slot pointing downwards.

**2.** Tap the side beams in at the required positions for the worktop and lower shelf level. The side beams for the worktop should be positioned in the top two holes of the 915 uprights. - Repeat to get two matching end frames.

**3.** The face beams for the worktop should be positioned in the top two holes of the 915mm upright, matching the side beam height. Locate the face beams for the undershelf at the same level as the lower side beams.

**4.** Now insert the front to back deck support in the main work station level and the undershelf. (2440mm wide workbench comes with 2 deck supports per level)

**5.** Now you can add the 18mm thick shelf to the worktop and undershelf level.

### Tools Required

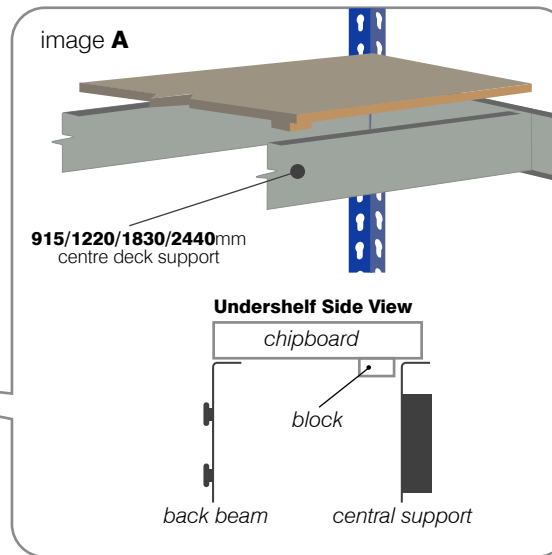
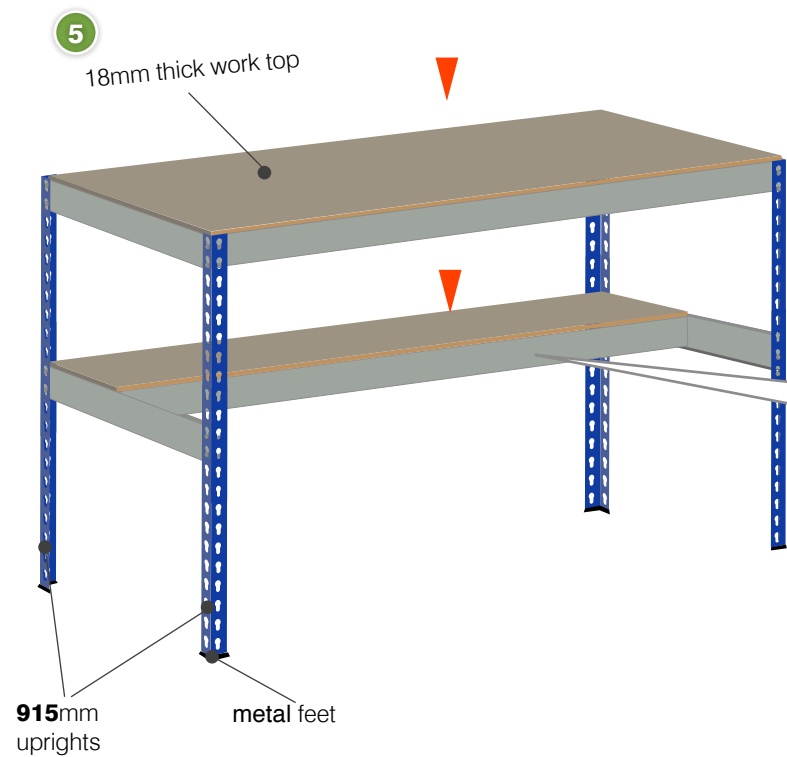
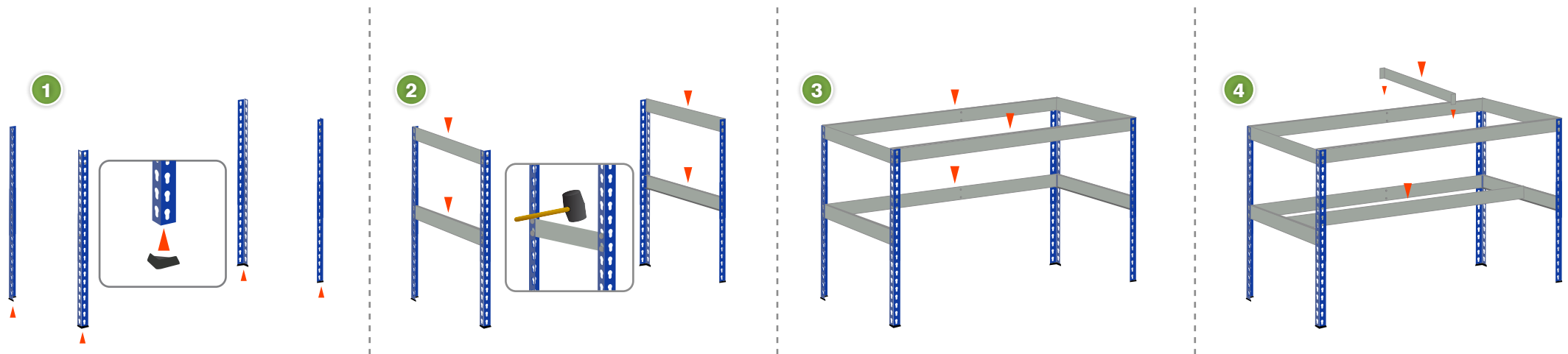
Rubber Mallet

### Safety Precaution

**Two competent people** wearing **safety gloves**, **safety shoes** and **protective eyewear** are recommended to undertake the assembly.



scan for more info



**1.** Attach plastic feet to all 4 uprights, the narrow part of each slot pointing downwards.

**2.** Tap the side beams in at the required positions for the worktop and lower shelf level. The side beams for the worktop should be positioned in the top two holes of the 915 uprights. - Repeat to get two matching end frames.

**3.** The face beams for the worktop should be positioned in the top two holes of the 915mm upright, matching the side beam height. Locate the face beam for the undershelf at the same level of the lower side beams.

**4.** Now insert the front to back deck support in the main work station level and the undershelf (2440mm wide workbench comes with 2 deck supports per level) and fit the left to right deck support which forms the T bar.

**5.** Now add the 18mm undershelf to the lower level ensuring the block of wood is fitted to the front (see image A). Finally add the 18mm thick shelf to the work top level.

### Tools Required

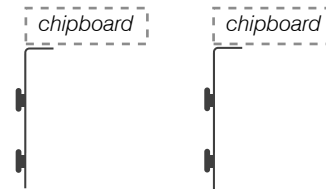
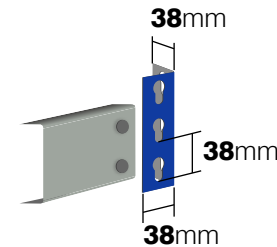
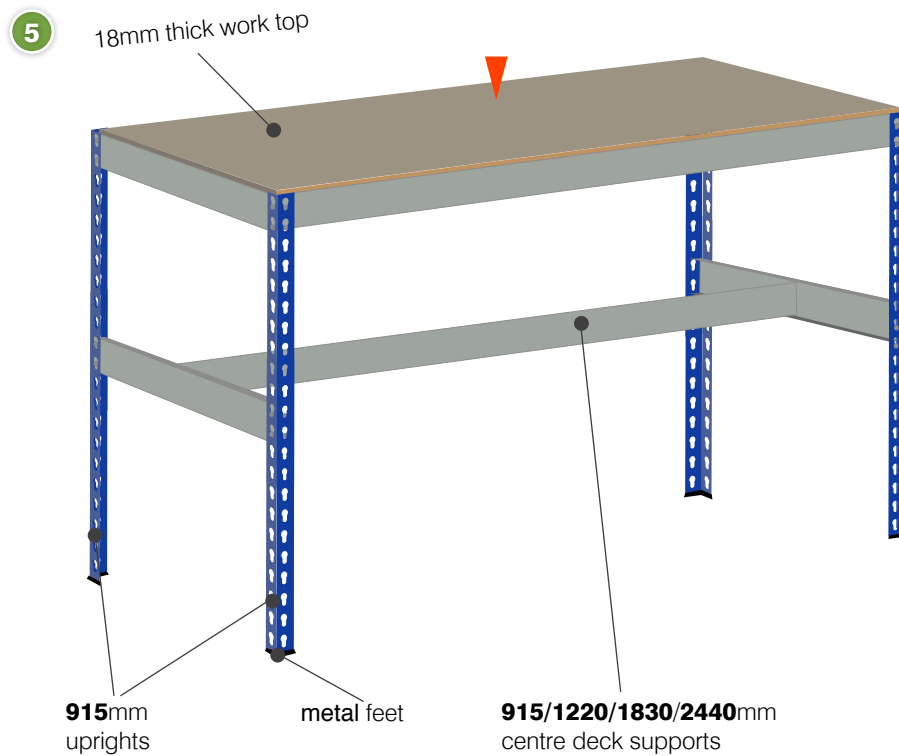
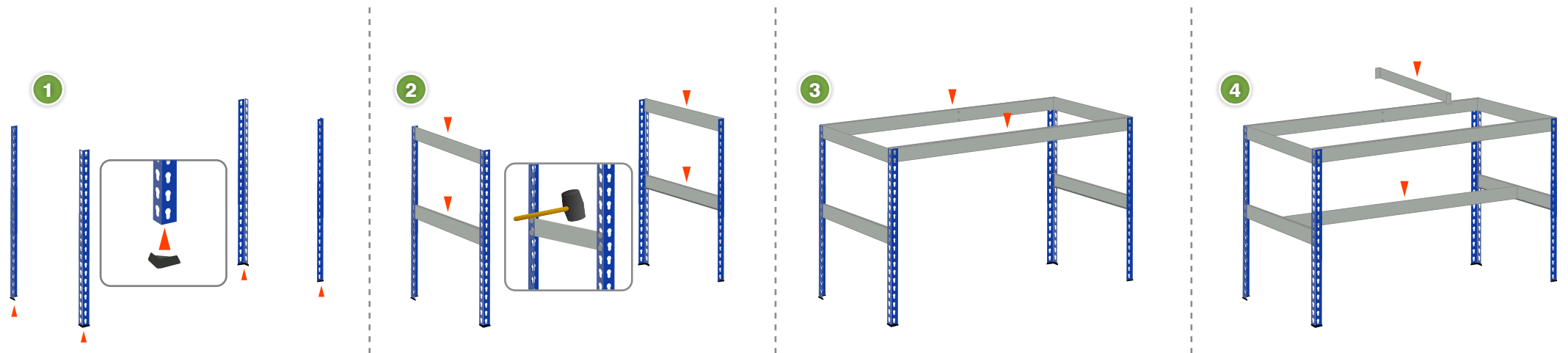
Rubber Mallet

### Safety Precaution

Two competent people wearing safety gloves, safety shoes and protective eyewear are recommended to undertake the assembly.



scan for more info



1. Attach plastic feet to all 4 uprights, the narrow part of each slot pointing downwards.
2. Tap the side beams in at the required positions for the worktop and lower shelf level. The side beams for the worktop should be positioned in the top two holes of the 915 uprights. - Repeat to get two matching end frames.
3. The face beams for the worktop should be positioned in the top two holes of the 915mm upright, matching the side beam height.
4. Now insert the front to back deck support in the main worktop level (2440mm wide workbench comes with 2 deck supports per level) and fit the left to right deck support which forms the T bar.
5. Now you can add the 18mm thick shelf to the worktop level.

### Tools Required

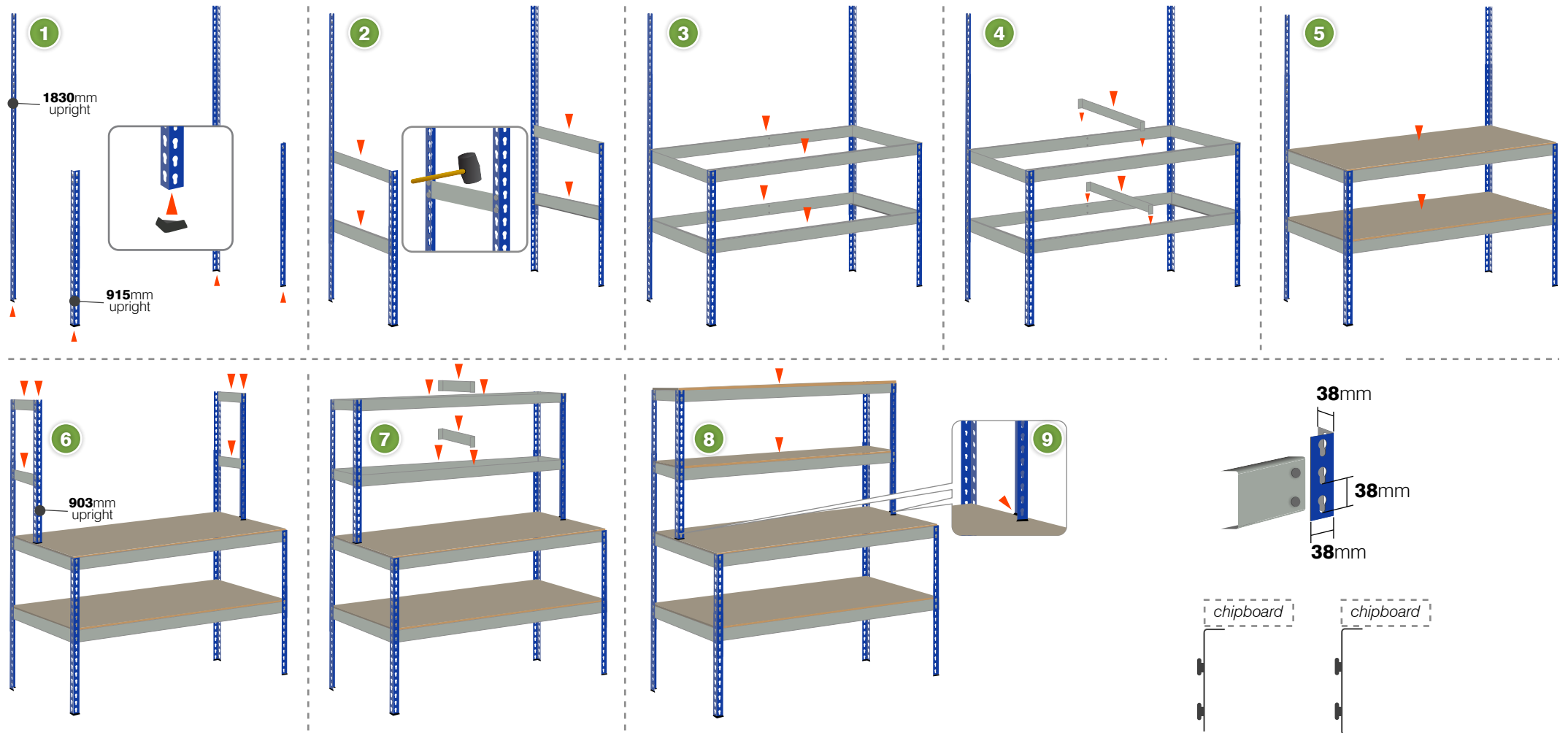
Rubber Mallet

### Safety Precaution

Two competent people wearing safety gloves, safety shoes and protective eyewear are recommended to undertake the assembly.



scan for more info



**1.** Attach plastic feet to all 6 uprights, the narrow part of each slot pointing downwards.

**2.** With another person holding the uprights, place the 1830mm upright to the back and the 915mm to the front. Now tap the side beams in at the required positions for the worktop (top 2 holes) and lower shelf level.

**3.** The face beams for the work top should be positioned in the top two holes of the 915mm upright. Locate the face beams for the undershelf at the same level as the lower side beams.

**4.** Now insert the front to back deck support in the main work station level and the undershelf.  
(2440mm wide workstation comes with 2 deck supports per level)

**5.** Now you can add the 18mm thick shelf to the work top and undershelf level.

**6.** Now position the 903mm uprights on top of the work top ready to tap in the side beams, position side beams as necessary.

**7.** Repeat for the face beams and then add the front to back deck support to both levels.  
(2440mm wide workstation comes with 2 deck supports per level)

**8.** Add the 18mm thick chipboard panels to each shelf level.

**9.** Finally screw the plastic feet of the 903mm uprights down to the worktop with the 3.5 x 17mm chrome screws provided.

### Tools Required

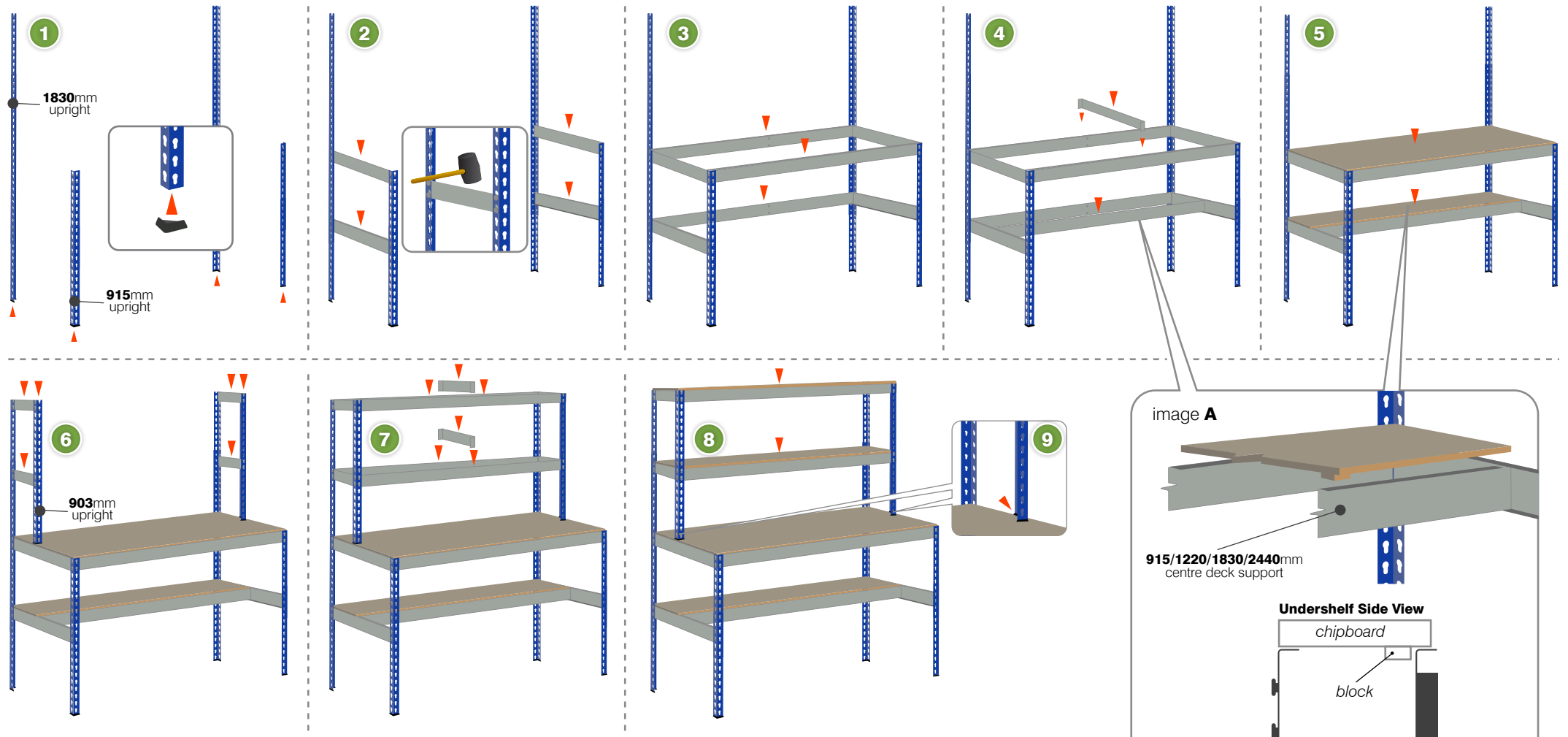
Rubber Mallet, Phillips Screwdriver

### Safety Precaution

**Two competent people** wearing **safety gloves**, **safety shoes** and **protective eyewear** are recommended to undertake the assembly.



scan for more info



**1.** Attach plastic feet to all 6 uprights, the narrow part of each slot pointing downwards.

**2.** With another person holding the uprights, place the 1830mm upright to the back and the 915mm to the front. Now tap the side beams in at the required positions for the worktop (top 2 holes) and lower shelf level.

**3.** The face beams for the work top should be positioned in the top two holes of the 915mm upright. Locate the back beam for the undershelf at the same level as the lower side beams.

**4.** Now insert the front to back deck support in the main work station level (2440mm wide workstation comes with 2 deck supports per level) and fit the left to right deck support which forms the T bar (image A)

**5.** Now add the 18mm undershelf to the lower level ensuring the block of wood is fitted to the front (see image A). Finally add the 18mm thick shelf to the work top level.

**6.** Now position the 903mm uprights on top of the work top ready to tap in the side beams, position side beams as necessary.

**7.** Repeat for the face beams and then add the front to back deck support to both levels. (2440mm wide workstation comes with 2 deck supports per level)

**8.** Add the 18mm thick chipboard panels to each shelf level.

**9.** Finally screw the plastic feet of the 903mm uprights down to the worktop with the 3.5 x 17mm chrome screws provided.

### Tools Required

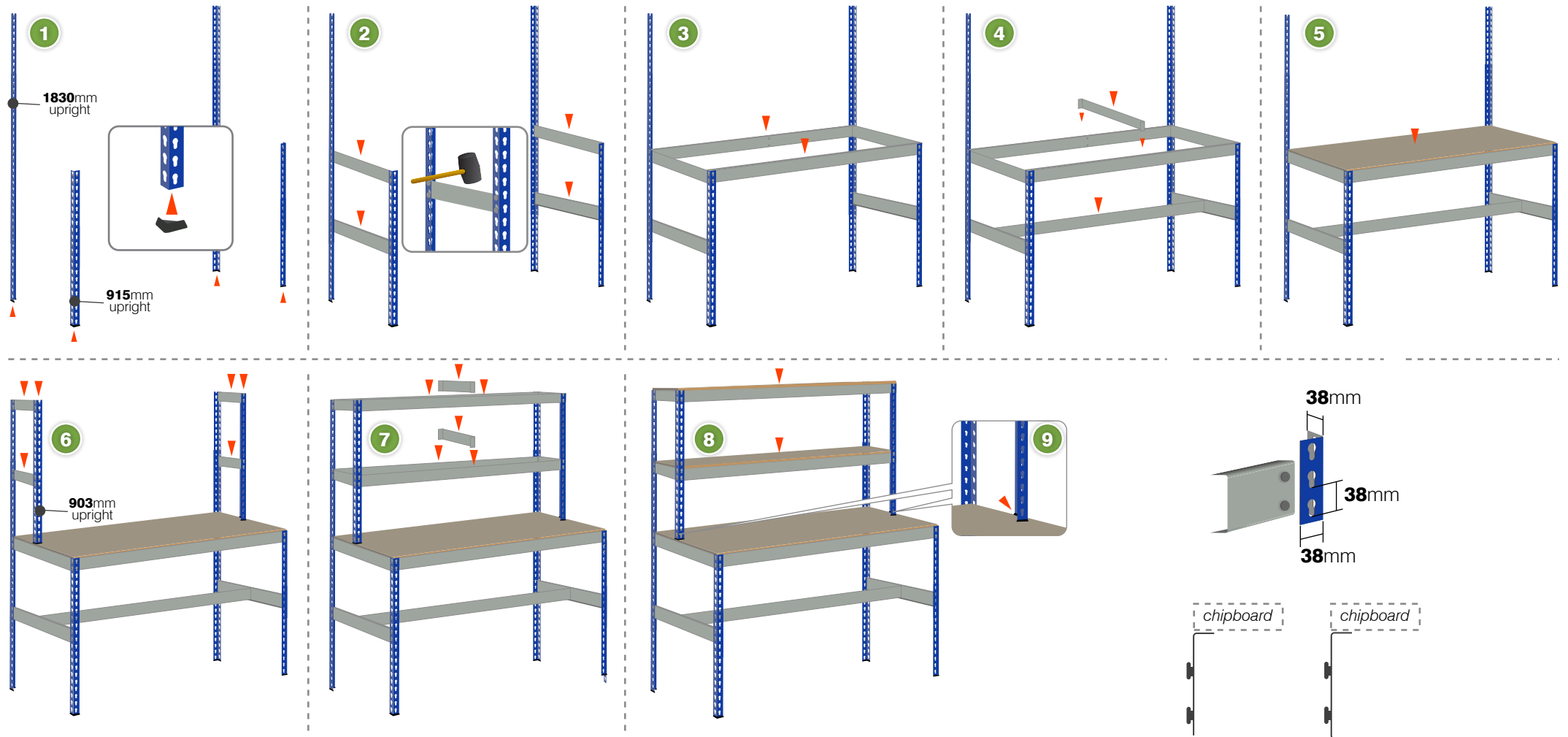
Rubber Mallet, Phillips Screwdriver

### Safety Precaution

**Two competent people** wearing **safety gloves**, **safety shoes** and **protective eyewear** are recommended to undertake the assembly.



scan for more info



**1.** Attach plastic feet to all 6 uprights, the narrow part of each slot pointing downwards.

**2.** With another person holding the uprights, place the 1830mm upright to the back and the 915mm to the front. Now tap the side beams in at the required positions for the worktop (top 2 holes) and lower T bar level.

**3.** The face beams for the work top should be positioned in the top two holes of the 915mm upright.

**4.** Now insert the front to back deck support in the main work station level (2440mm wide workstation comes with 2 deck supports per level) and fit the left to right deck support which forms the T bar.

**5.** Add the 18mm thick shelf to the work top level.

**6.** Now position the 903mm uprights on top of the work top ready to tap in the side beams, position side beams as necessary.

**7.** Repeat for the face beams and then add the front to back deck support to both levels. (2440mm wide workstation comes with 2 deck supports per level)

**8.** Add the 18mm thick chipboard panels to each shelf level.

**9.** Finally screw the plastic feet of the 903mm uprights down to the worktop with the 3.5 x 17mm chrome screws provided.

### Tools Required

Rubber Mallet, Phillips Screwdriver

### Safety Precaution

**Two competent people** wearing **safety gloves**, **safety shoes** and **protective eyewear** are recommended to undertake the assembly.



scan for more info