

## Light-Duty Combination Ladders

---



[Representative image of product]

### Product Description

The light duty combination ladder is a versatile multi-function ladder that can be used as a straight extension, basic A-frame step, extended A-frame step and stairwell ladder that is easy to use and light enough to carry comfortably between jobs.

### Features

- Use as an extension, extended A-frame and stairwell ladder
- Rigid box section stiles
- Wide horizontal stabiliser bar

### Specifications

- Brand: TB Davies
- Warranty: 1-year
- Max Load: 150kg
- Standard: EN131
- Material: Aluminium
- Commodity Code: 76169990
- Country of Origin: IT
- Recommended Usage: Regular

### Common Dimensions

- Rung Depth: 24mm
- Distance Between Rungs: 280mm

### Availability & Delivery

Stock item. Delivery next day.

(See exceptions, if applicable, overleaf)

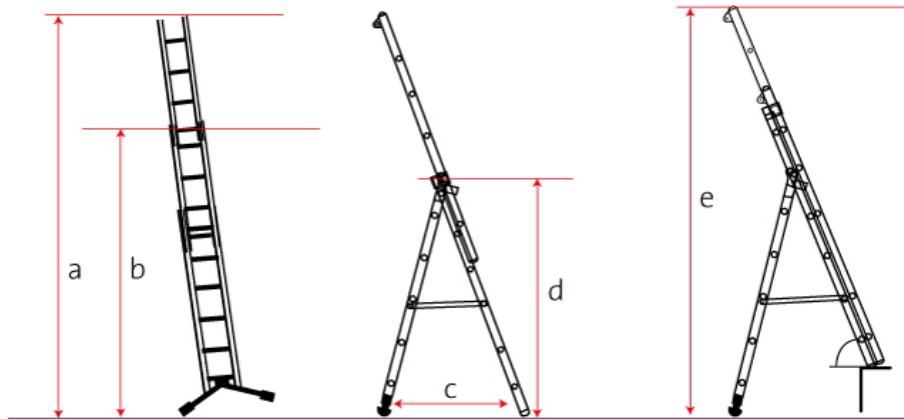
# Light-Duty Combination Ladders

## Product Dimensions

SKU	Rungs /Sections	Last Climbing Height (b)	Approx. Working Height <sup>1</sup> (mm)	Extended Length (a) (mm)	Closed Length (mm)	Storage Width (mm)	Storage Depth (mm)	Nett Weight (kg)
1300-310	7 x 3	3160	4760	2020 - 4260	2020	800	150	12.0
1300-311	8 x 3	4000	5600	2300 - 5100	2300	890	150	13.5
1300-312	9 x 3	4840	6440	2580 - 5940	2580	980	170	16.0
1300-314	11 x 3	5960	7560	3140 - 7060	3140	1180	180	20.5

SKU	Open Step Depth (c) (mm)	Open Step Height (e) (mm)	Max Step Height (d) (mm)	Approx. Step Working Height <sup>1</sup> (mm)
1300-310	1310	4260	2040	3640
1300-311	1490	4800	2450	4050
1300-312	1690	5940	2860	4460
1300-314	2040	7060	3680	5280

<sup>1</sup> Working height is calculated as 1,600mm plus platform height or last climbing tread, whichever is appropriate. Ladders set at an angle of 75° degrees.



Please note that this drawing is not to scale and may differ slightly from the ladder that you receive.

## Shipping Dimensions

SKU	Barcode	Shipping Length (mm)	Shipping Width (mm)	Shipping Depth (mm)	Shipping Volume (m <sup>3</sup> )	Gross Weight (kg)
1300-310	5060356910724	2020	478	150	0.145	12.0
1300-311	5060356911219	2300	478	150	0.165	13.5
1300-312	5060356910731	2580	478	170	0.21	16.0
1300-314	5060356910748	3140	478	180	0.27	20.5

**Packaging Material:** Polywrap

Please note that products marked '**Special Order**' cannot be cancelled and are non-returnable once orders are acknowledged and placed. This document is presented as a guide only; It is subject to change without notice and as such is not legally binding, nor does it form part of any contract.